

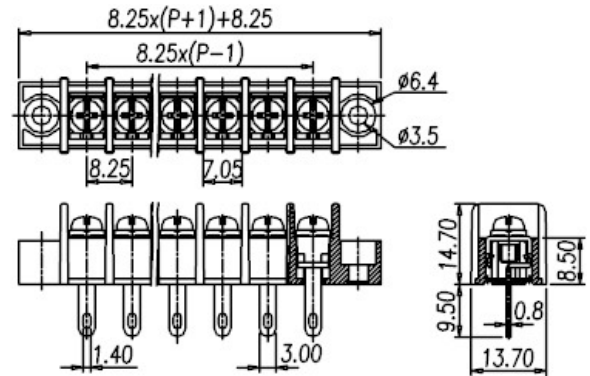
### Barrier Type - DT35 Series

Feed Through Solder Tag Type • 8.25mm Pitch - 20A

Rating: 300V / 20A Wire size 22 ~ 12 AWG Insulation Breakdown Volts : 2000VAC /  
Min Operating Temp. Range: -40°C ~ +105°C  
Materials: Polamide Housing, UL94VO, Black  
Terminals: Brass 0.8 x 3.0mm, tin plated  
Screw: M4 Steel Nickel Plated  
Screw Torque Value : 10 Kg-cm

Part No. 32-DT35A02W-xx  
xx = No of Poles  
( 2, 3, 4, 5, 6, 7, 8, 9, 10 & 12 pole)

Part Number	Pitch A	Current Rating
32-DT35A02W-xx	8.25	20A



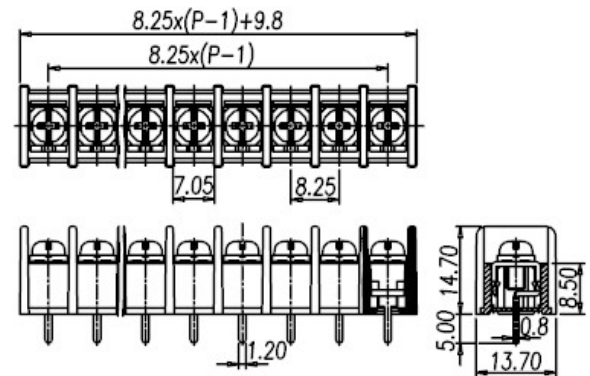
### Barrier Type - DT35 Series

PCB Mount - Centre Pin • 8.25mm Pitch - 20A

Offset Pin also available with B07 Series  
Rating: 300V / 20A Wire size 22 ~ 12 AWG  
Insulation Breakdown Volts: 2000VAC/Min Operating Temp. Range : -40°C ~ +105°C  
Materials: Polamide Housing, UL94VO, Black  
Terminals: Brass 0.8 x 3.0mm, tin plated  
Screw: M4 Steel Nickel Plated  
Screw Torque Value : 10 Kg-cm

Part No. 32-DT35B01W-xx  
xx = No of Poles  
( 2, 3, 4, 5, 6, 7, 8, 9, 10 & 12 pole)

Part Number	Pitch A	Current Rating
32-DT35B01W-xx	8.25	20A



### Barrier Type - DT35 Series

Feed Through Solder Tag Type • 8.25mm Pitch - 20A

#### For Marine Applications - Reduce corrosion with Brass Screws

Rating: 300V / 20A Wire size 22 ~ 12 AWG Insulation Breakdown Volts : 2000VAC /  
Min Operating Temp. Range: -40°C ~ +105°C  
Materials: Polamide Housing, UL94VO, Black  
Terminals: Brass 0.8 x 3.0mm, tin plated  
Screw: M4 Brass Nickel Plated  
Screw Torque Value: 10 Kg-cm

Part No. 32-DT35A02B-xx  
xx = No of Poles  
( 2, 3, 4, 5, 6, 7, 8, 9, 10 & 12 pole)

Part Number	Pitch A	Current Rating
32-DT35A02B-xx	8.25	20A

